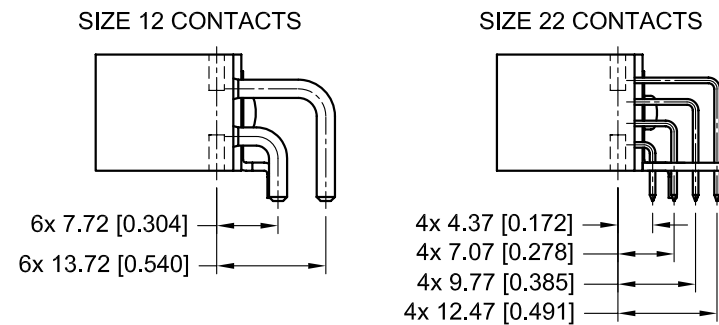
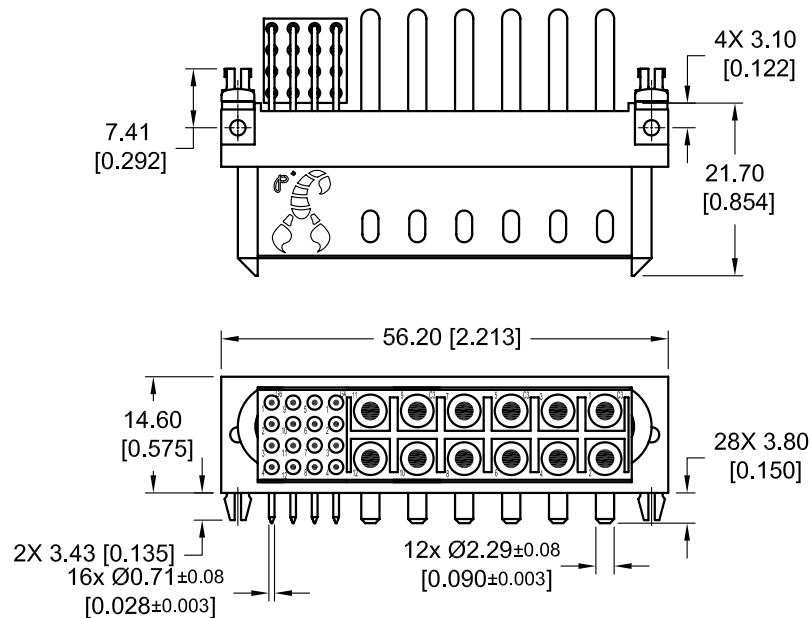
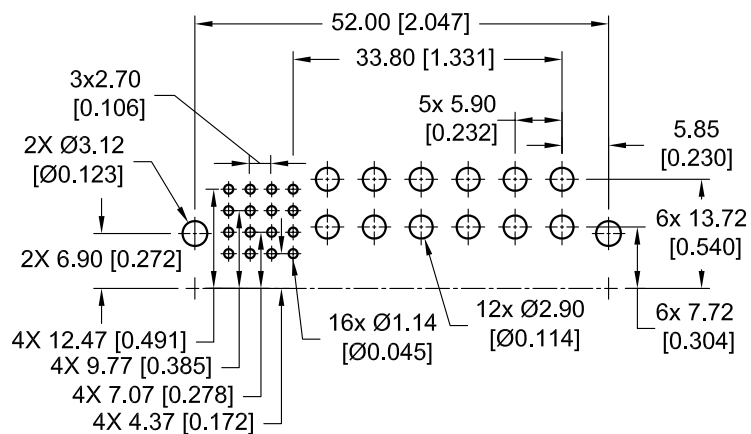


POSITRONIC ASIA PTE. LTD. BELIEVES THE DATA ON THE DRAWING TO BE RELIABLE. SINCE THE TECHNICAL INFORMATION IS GIVEN FREE OF CHARGE, THE USER EMPLOYS SUCH INFORMATION AT HIS OWN DISCRETION AND RISK. POSITRONIC ASIA PTE. LTD. ASSUMES NO RESPONSIBILITY FOR RESULTS OBTAINED OR DAMAGES INCURRED FROM USE OF SUCH INFORMATION IN WHOLE OR IN PART.

DATE	REV	REVISION RECORD	DRN	CKD	APP
24 OCT 08	NC	PA ECO 08224	KA	EH	NK



CONTACT HOLES PATTERN



NOTES:

- MATERIALS AND FINISHES  
 INSULATOR: GLASS-FILLED POLYESTER, UL 94V-0. COLOR: BLUE.  
 CONTACTS: PRECISION MACHINED COPPER ALLOY WITH GOLD OVER NICKEL PLATE.  
 ANGLE BRACKET: COPPER ALLOY WITH TIN PLATE.

DRAWING NO.	PART NUMBER	REMARKS
ASK21734-1	SP2YYYYKH4F0LN9	-
ASK21734-2	SP2YYYYKH4F0LN9/AA	RoHS COMPLIANT PER RoHS DIRECTIVE 2002/95/EC OF 27 JAN 2003



**POSITRONIC ASIA PTE. LTD.**  
 3014A UBI ROAD 1, #07-01. SINGAPORE 408703.  
 Tel: (65) 6842-1419 / Fax: (65) 6842-1421 / Email: singapore@connectpositronic.com

 GENERAL TOL. LINEAR : ±0.38 [0.015] ANGULAR : ±5°	SERIES	SCALE	DRAWN	CHECKED	APPROVED
	SP	NTS	KA	EH	NK
UNLESS OTHERWISE SPECIFIED, ALL DIMENSIONS ARE IN MILLIMETERS [INCHES]	TITLE		REV.		
	SP2YYYYKH4F0LN9 SP2YYYYKH4F0LN9/AA		DATE	DRAWING NUMBER	SHEET 1 OF 1
		24 OCT 08	ASK21734-*	NC	